

D.T. 1.5

EQUIP. TYPE P380A/HRR EXP. NO.

~~COL 304 2800 60~~

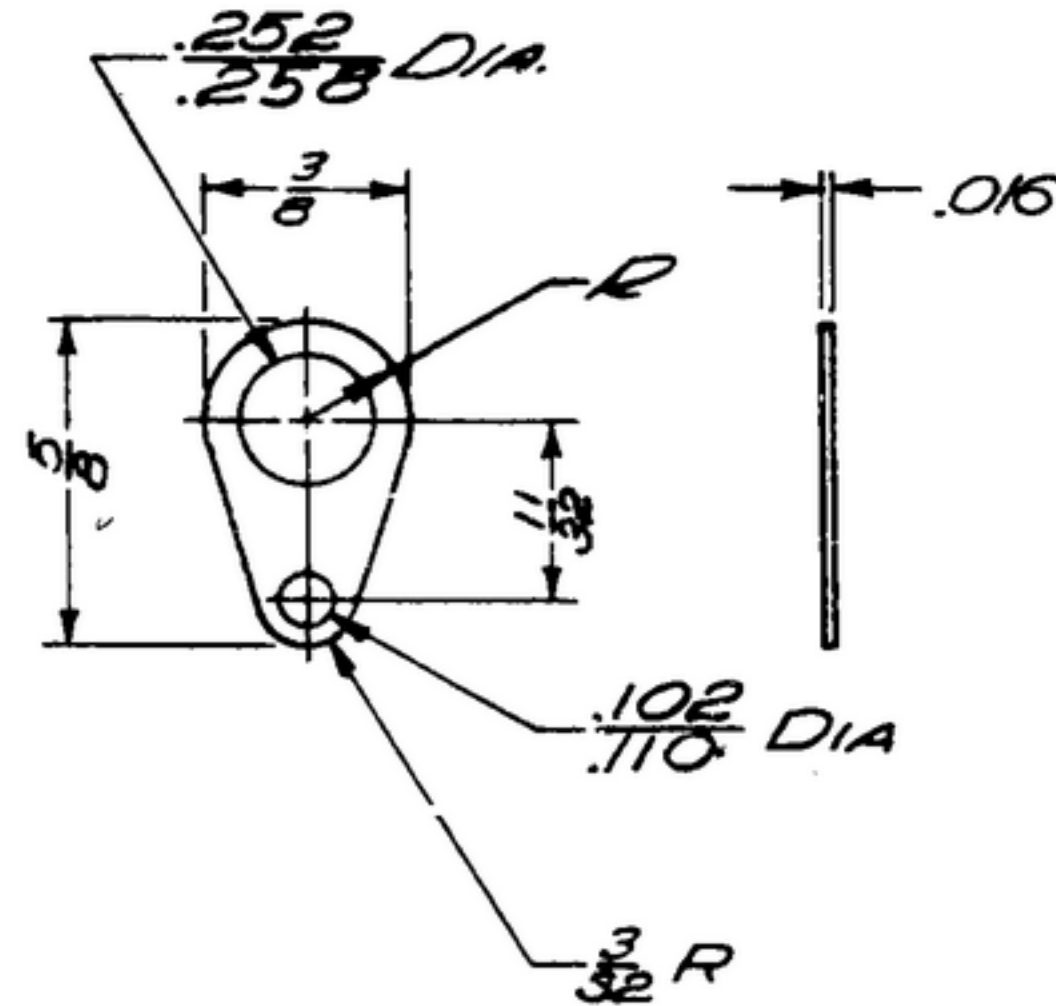
NOTICE: WHEN GOVERNMENT DRAWINGS, SPECIFICATIONS, OR OTHER DATA ARE USED FOR ANY PURPOSE OTHER THAN IN CONNECTION WITH A DEFINITELY RELATED GOVERNMENT PROCUREMENT OPERATION, THE UNITED STATES GOVERNMENT THEREBY INCURS NO RESPONSIBILITY NOR ANY OBLIGATION WHATSOEVER; AND THE FACT THAT THE GOVERNMENT MAY HAVE FORMULATED, FURNISHED, OR IN ANY WAY SUPPLIED THE SAID DRAWINGS, SPECIFICATIONS, OR OTHER DATA IS NOT TO BE REGARDED BY IMPLICATION OR OTHERWISE AS IN ANY MANNER LICENSING THE HOLDER OR ANY OTHER PERSON OR CORPORATION, OR CONVEYING ANY RIGHTS OR PERMISSION TO MANUFACTURE, USE, OR SELL ANY PATENTED INVENTION THAT MAY IN ANY WAY BE RELATED THERETO.

THIS DOCUMENT HAS BEEN PURCHASED BY THE GOVERNMENT AND MAY BE REPRODUCED AND USED IN CONNECTION WITH ANY GOVERNMENT PROCUREMENT OR MAINTENANCE OPERATION.

\* FOR INFORMATION ONLY. CONTRACTOR MAY AT HIS OPTION DEVIATE FROM THESE PROCESS DETAILS.

REVISIONS

SYM	DESCRIPTION	DATE	APPROVAL
-----	-------------	------	----------



NOTES:

1. PART MAY BE #4012 AS SUPPLIED BY PATTON-MAC GUYER CO, PROVIDENCE, RHODE ISLAND, OR EQUAL, PROVIDING IT MEETS THE FOLLOWING REQUIREMENTS & DIMENSIONS SHOWN.

DESCRIPTION: TEAR DROP SHAPED SOLDERING LUG.  
 FINISH: M221 PER SPEC MIL-F-14072.  
 MATERIAL: COPPER

COLLINE PART NO.	REV	REQD	PART NO.	DESCRIPTION	DATE	MATL SPEC
------------------	-----	------	----------	-------------	------	-----------

LIST OF MATERIAL

COLLINE PART NO. 558-0209002

COLLINE NO.	QTY	NEXT ASSY	USED ON
<u>558-0395-001</u>	<u>1</u>	<u>SM-D-249001</u>	<u>SC-DL-249775</u>

DRAWN  
**NUGEN**

CHECKED  
*Pen*

APPROVED

UNLESS OTHERWISE SPECIFIED:  
 DECIMAL DIMENSIONS INCLUDING HOLE SIZES MAY VARY ±.008  
 FRACTIONAL DIMENSIONS INCLUDING HOLE SIZES MAY VARY ±1/64  
 MACHINED ANGLES MAY VARY ±.1°  
 SHEARED ANGLES MAY VARY ±.25°  
 BROKEN ANGLES MAY VARY ±1°  
 ECCENTRICITY BETWEEN ANY DIAMETERS ON THE SAME CENTERLINE SHALL NOT EXCEED .010 TOTAL INDICATOR READING.  
 ALL DIMENSIONS ARE FINISH DIMENSIONS INCLUDING APPLIED FINISH AND ARE GIVEN IN INCHES.

COLLINE RADIO CO.  
 CEDAR RAPIDS, IOWA  
14214-PH-51-93

SIGNAL CORPS

REVIEWED **PME**

APPROVED **HLY**  
**PME**

DATE 16 JAN 56 SCALE 2/1

**TERMINAL - SOLDER**

DEPARTMENT OF THE ARMY  
 SIGNAL CORPS ENGINEERING  
 LABORATORIES

FORT MONMOUTH NEW JERSEY

**SM-B-249255**